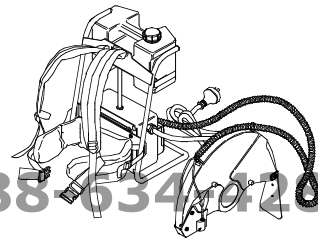


PARTNER

ConstructionParts.com



888-634-4289

IPL, K 3000 SPRAY, 2003- 11, 106 31 31-61

ConstructionParts.com

K 3000 SPRAY

Reservdelar

Spare parts

Ersatzteile

Pieces de rechange

Piezas de repuesto

Ricambi

Peças

sobresselente

ConstructionParts.com

888-634-4289

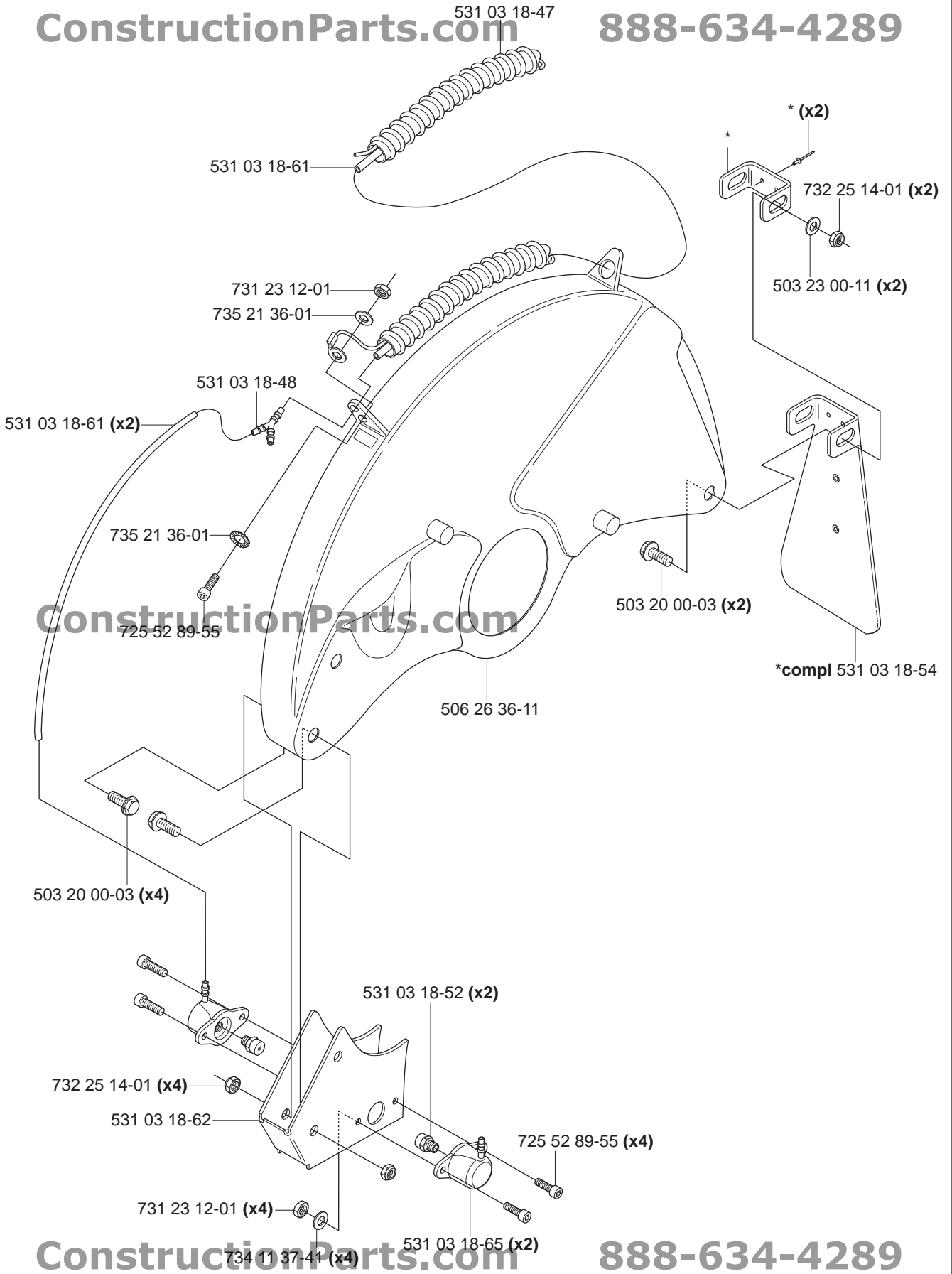
106 31 31-61

PARTNER[®]

A

ConstructionParts.com

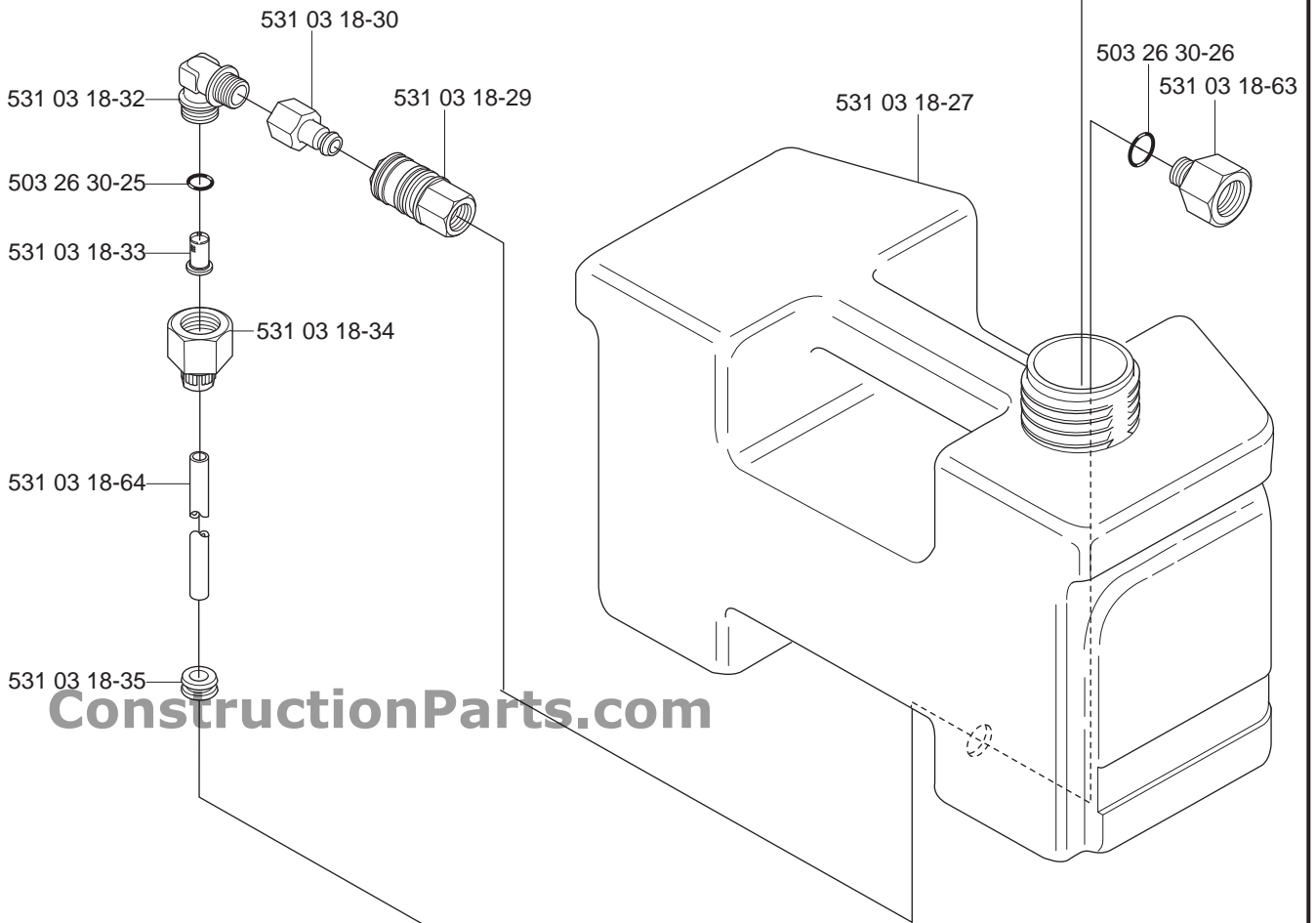
888-634-4289



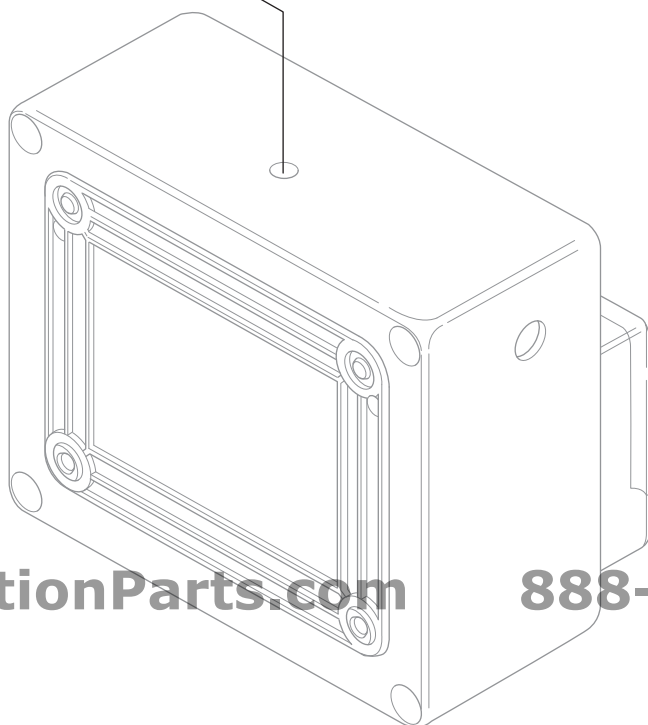
B

ConstructionParts.com

888-634-4289



ConstructionParts.com



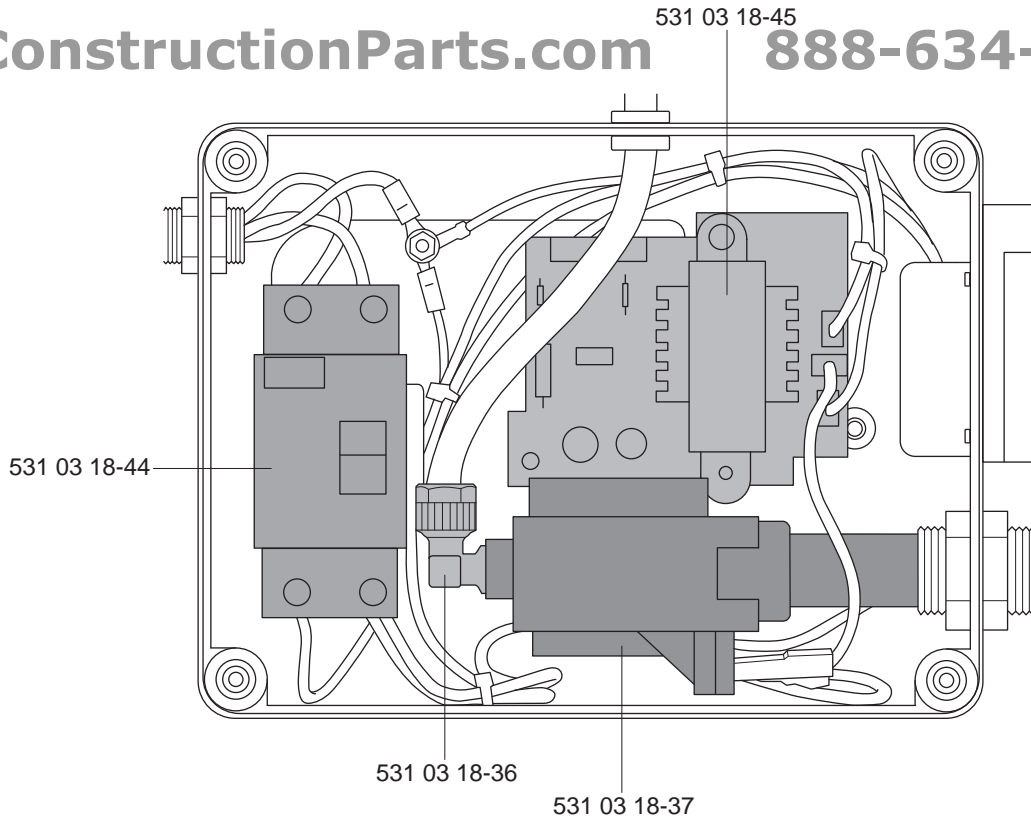
ConstructionParts.com

888-634-4289

C

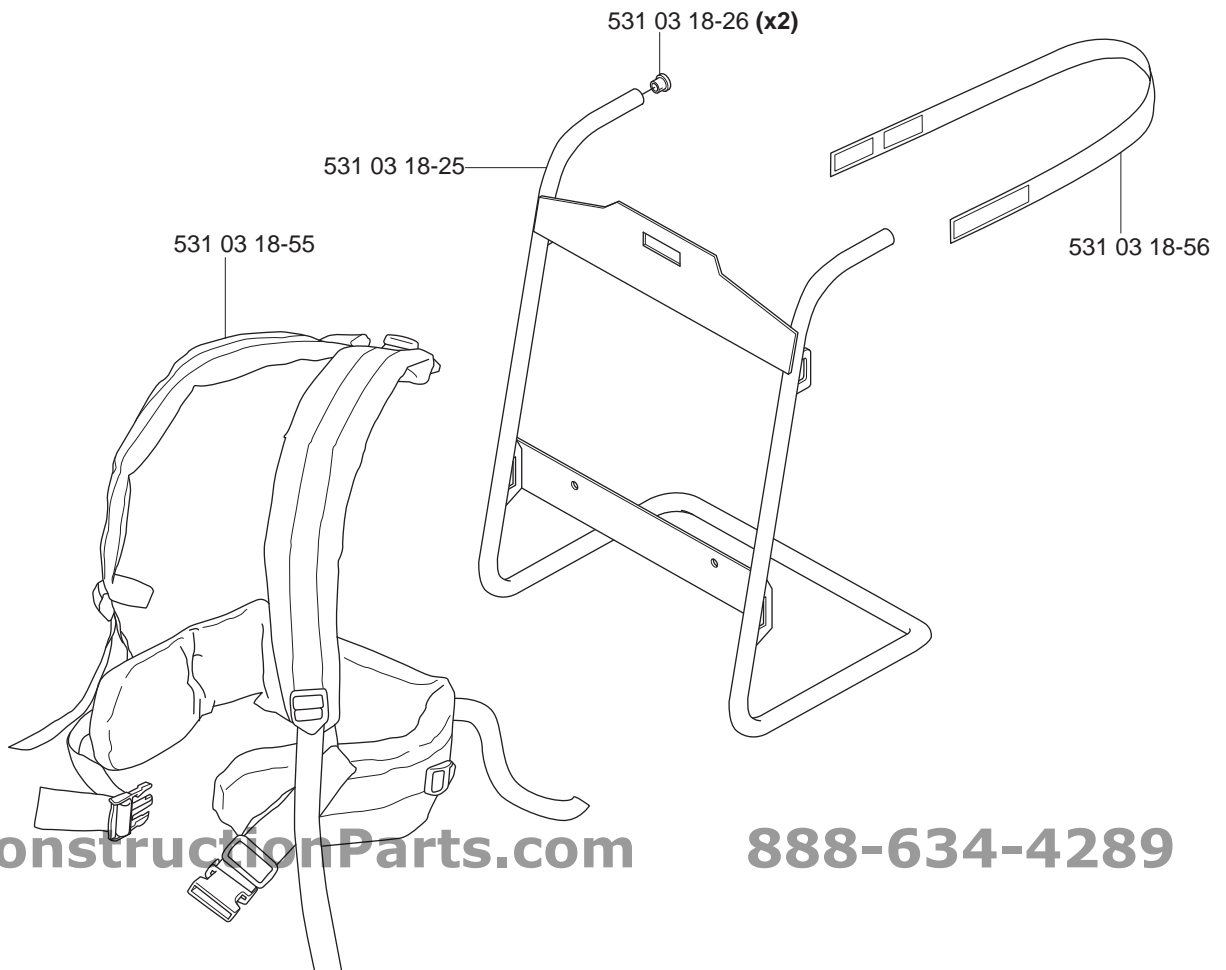
ConstructionParts.com

888-634-4289



ConstructionParts.com

D



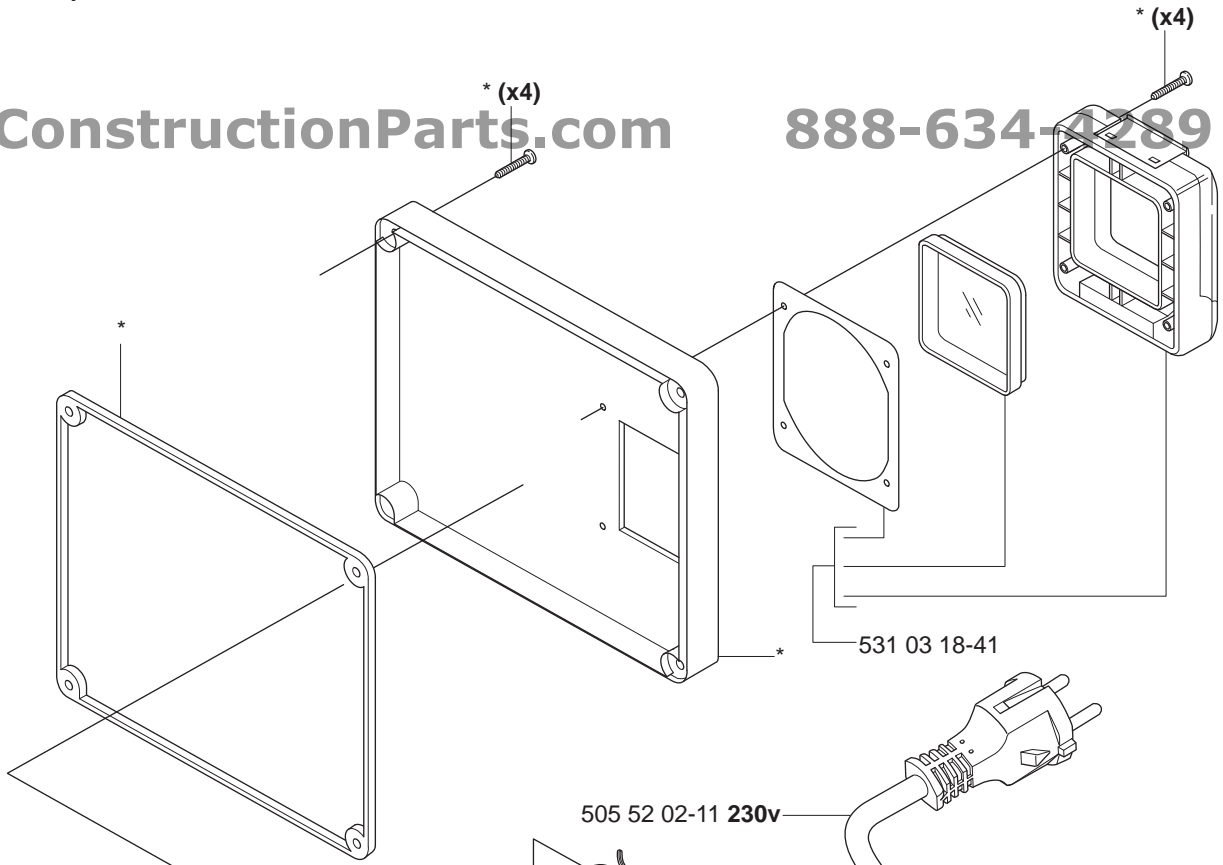
ConstructionParts.com

888-634-4289

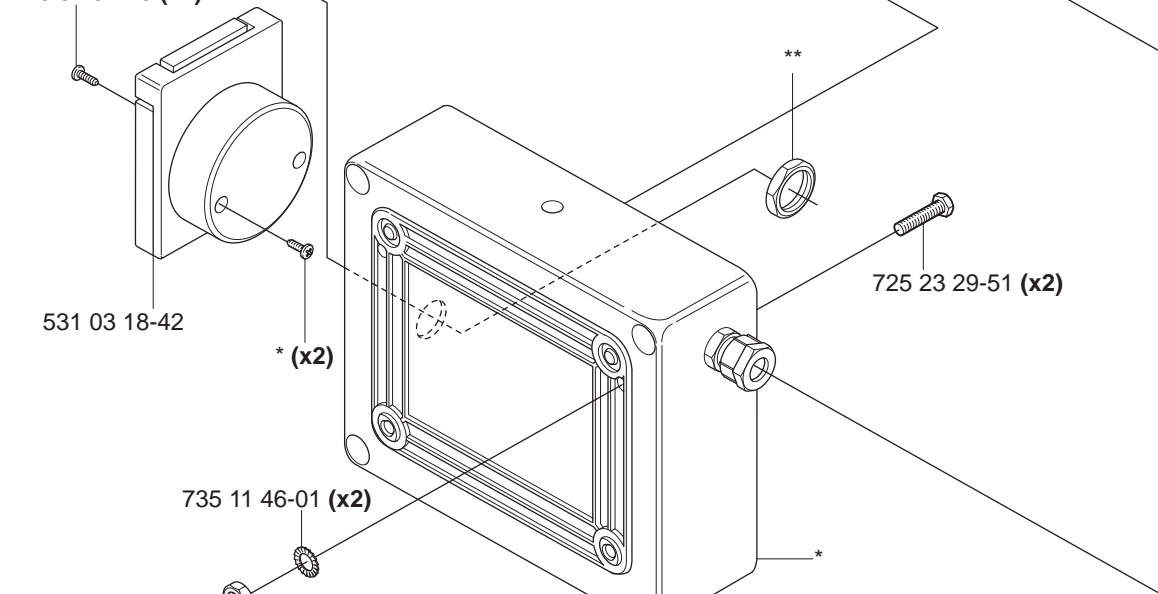
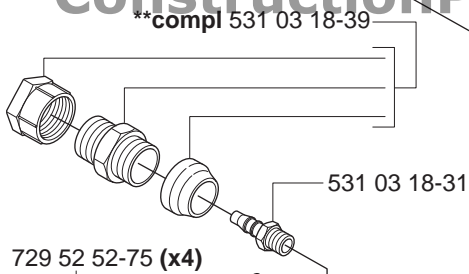
E *compl 531 03 18-40

ConstructionParts.com

888-634-4289



ConstructionParts.com



ConstructionParts.com

888-634-4289

No.	Pos.	Description	No.	Pos.	Description
503 20 00-03	A	Screw M5x12			
503 23 00-11	A	Washer 5,3x12			
503 26 30-25	B	O-ring 8,0x2,0			
503 26 30-26	B	O-ring 10,0x2,2			
505 52 02-11	E	Cable			
506 26 36-11	A	Protector			
531 03 18-25	D	Back pack frame			
531 03 18-26	D	Plastic plug			
531 03 18-27	B	Water tank			
531 03 18-28	B	Tank cap			
531 03 18-29	B	Female quick connector			
531 03 18-30	B	Male quick connector			
531 03 18-31	E	Nipple			
531 03 18-32	B	Right angle connector			
531 03 18-33	B	Filter			
531 03 18-34	B	Female connector			
531 03 18-35	B	Rubber grommet			
531 03 18-36	C	Male right angle connector			
531 03 18-37	C	Water pump			
531 03 18-39	E	Grommet			
531 03 18-40	E	Electric housing /cover			
531 03 18-41	E	Cover			
531 03 18-42	E	Electric schuko socket			
531 03 18-44	C	Circuit breaker			
531 03 18-45	C	Printed circuit card			
531 03 18-47	A	Protection tube 2m length			
531 03 18-48	A	Male Y connector			
531 03 18-52	A	Nozzle			
531 03 18-54	A	Mud retainer assy			
531 03 18-55	D	Harness			
531 03 18-56	D	Belt			
531 03 18-61	A	Hose 1m			
531 03 18-62	A	Housing			
531 03 18-63	B	Clutch			
531 03 18-64	B	Hose 1m			
531 03 18-65	A	Nozzle housing cpl			
725 23 29-51	E	Screw M5x16			
725 52 89-55	A	Screw M4x10			
729 52 52-75	E	Screw 3,5X7			
731 23 12-01	A	Nut m4			
732 21 14-22	E	Locknut m5			
732 25 14-01	A	Nut m5			
734 11 37-41	A	Washer m4			
735 11 46-01	E	Washer m5			
735 21 36-01	A	Lock washer			

888-634-4289

ConstructionParts.com

888-634-4289