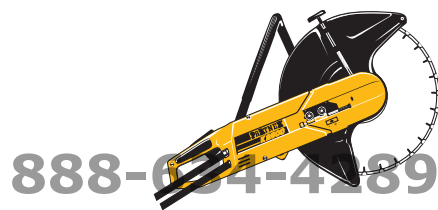


# PARTNER

ConstructionParts.com



888-634-4289

IPL, K 2500, K 2500 RAIL, 2004-11, 544 01 49-01

ConstructionParts.com

**K 2500  
K 2500 RAIL**

**Reservdelar**

**Spare parts**

**Ersatzteile**

**Pieces de rechange**

**Piezas de repuesto**

**Ricambi**

**Peças  
sobresselente**

ConstructionParts.com

888-634-4289

544 01 49-01

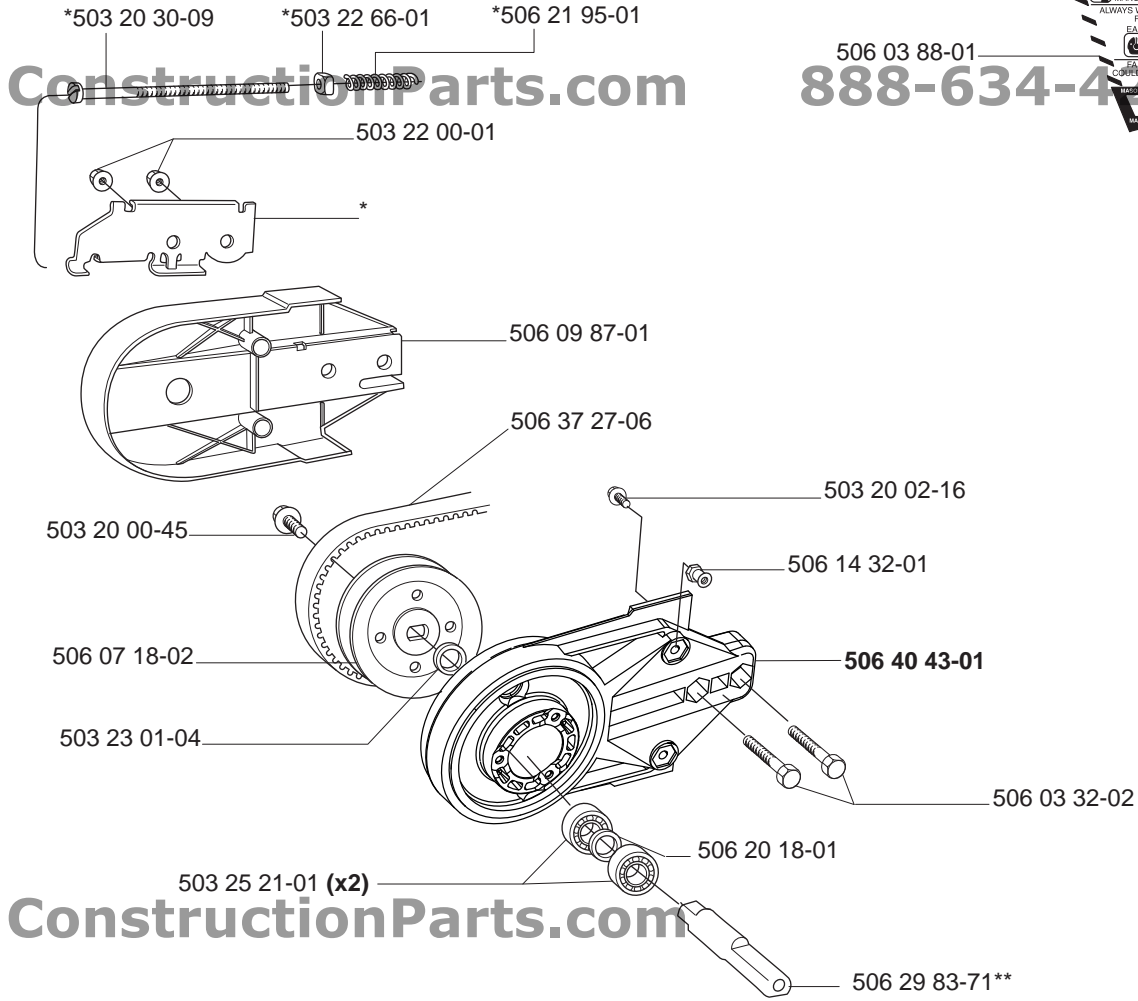
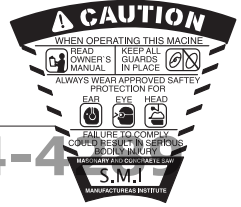
---

# **PARTNER®**

No.	Pos.	Description	No.	Pos.	Description
501 62 89-03	B	HANDLE COVER	506 26 65-01	A	FLANGE
501 69 17-02	F	COMB.TOOL	506 28 84-01	A	FLANGE
502 21 58-01	F	ALLEN KEY	506 29 02-16	A	GUARD 16"
503 20 00-45	A	SCREW	506 29 56-01	G	NIPPLE
503 20 02-12	A	SCREW	506 29 57-01	G	NIPPLE
503 20 02-16	AB	SCREW	506 29 57-02	G	NIPPLE
503 20 02-20	C	SCREW	506 29 83-71	AE	SHAFT
503 20 02-40	B	SCREW	506 29 88-01	G	SCREEN
503 20 02-45	C	SCREW	506 30 11-14	C	SEALING KIT
503 20 30-09	A	SCREW	506 31 77-11	G	VALVE CPL
503 21 06-19	G	SCREW	506 32 00-02	C	SHAFT
503 21 28-10	B	SCREW	506 32 48-01	A	FLANGE
503 22 00-01	A	NUT	506 32 87-01	G	TUBE, Y
503 22 65-04	B	NUT	506 32 89-03	G	WET CUTTING KIT
503 22 66-01	A	NUT	506 34 46-01	A	HANDLE
503 23 00-24	C	WASHER	506 34 67-05	C	SHAFT
503 23 01-04	A	WASHER	506 37 27-06	A	BELT
503 24 07-01	C	PIN	506 37 96-20	A	BUSHING
503 25 21-01	AE	BALL BEARING	506 37 96-22	A	BUSHING
503 26 30-21	G	O-RING	506 37 96-25	A	BUSHING
503 26 30-28	C	O-RING	506 38 59-01	G	VALVE & HOSE CPL
506 01 45-05	B	THROTTLE CATCH	506 40 43-01	A	HOUSING
506 02 84-01	A	WASHER	720 13 10-00	B	PIN
506 02 87-01	A	WASHER	724 32 19-05	B	SCREW
506 02 88-30	A	BUSHING	725 53 27-55	B	SCREW
506 03 06-02	A	ADJUSTER	725 53 29-55	A	SCREW
506 03 32-02	AE	SCREW	725 53 31-55	AC	SCREW
506 03 46-45	A	LABEL	725 53 41-55	B	SCREW
506 03 46-46	A	LABEL	725 53 74-55	C	SCREW
506 03 88-01	A	WARNING LABLE	732 25 12-01	C	NUT
506 07 09-01	A	WASHER	735 31 08-20	C	E-RING
506 07 18-02	A	PULLEY	735 31 14-00	C	SEEGER CLIP
506 09 56-02	G	CLAMP	735 31 31-10	C	RETAINING RING
506 09 75-02	G	HOSE	735 88 06-00	C	WOODRUFF KEY
506 09 87-01	A	PROTECTOR	738 22 01-25	C	BALL BEARING
506 10 95-02	D	HYDRAULIC HOSE	740 38 27-01	D	WASHER
506 10 96-21	D	QUICK COUPLING FEMALE	740 38 34-01	D	WASHER
506 10 98-21	D	QUICK COUPLING MALE	740 42 03-00	C	O-RING
506 11 03-01	C	O-RING	740 43 02-00	C	O-RING
506 11 05-01	C	BUSHING	740 43 11-00	C	O-RING
506 13 95-11	A	WASHER			
506 13 96-01	A	SCREW			
506 14 32-01	A	CATCH			
506 19 87-04	C	HYDRAULIC MOTOR			
506 20 16-01	B	HANDLE			
506 20 18-01	AE	SPACER			
506 20 27-02	C	FLANGE			
506 20 28-01	B	PROTECTOR			
506 20 29-01	B	HANDLE			
506 20 31-01	C	LEVER			
506 20 33-01	B	THROTTLE ROD			
506 20 34-02	B	THROTTLE TRIGGER			
506 20 36-01	B	CHASSIS			
506 20 38-01	C	SPRING			
506 21 16-01	C	PULLEY			
506 21 59-01	C	VALVE SPINDLE			
506 21 60-01	C	SLEEVE			
506 21 63-01	B	DECAL			
506 21 80-01	C	VALVE			
506 21 81-01	C	SPRING			
506 21 82-01	C	PISTON			
506 21 83-01	C	SPRING			
506 21 85-01	C	VALVE SEAT			
506 21 95-01	A	SPRING			
506 22 75-01	E	SLEEVE			
506 23 08-01	E	HOUSING			
506 23 09-02	C	COVER			
506 23 35-01	C	HOUSING			
506 26 63-02	A	LONING			
506 26 64-01	A	FLANGE			

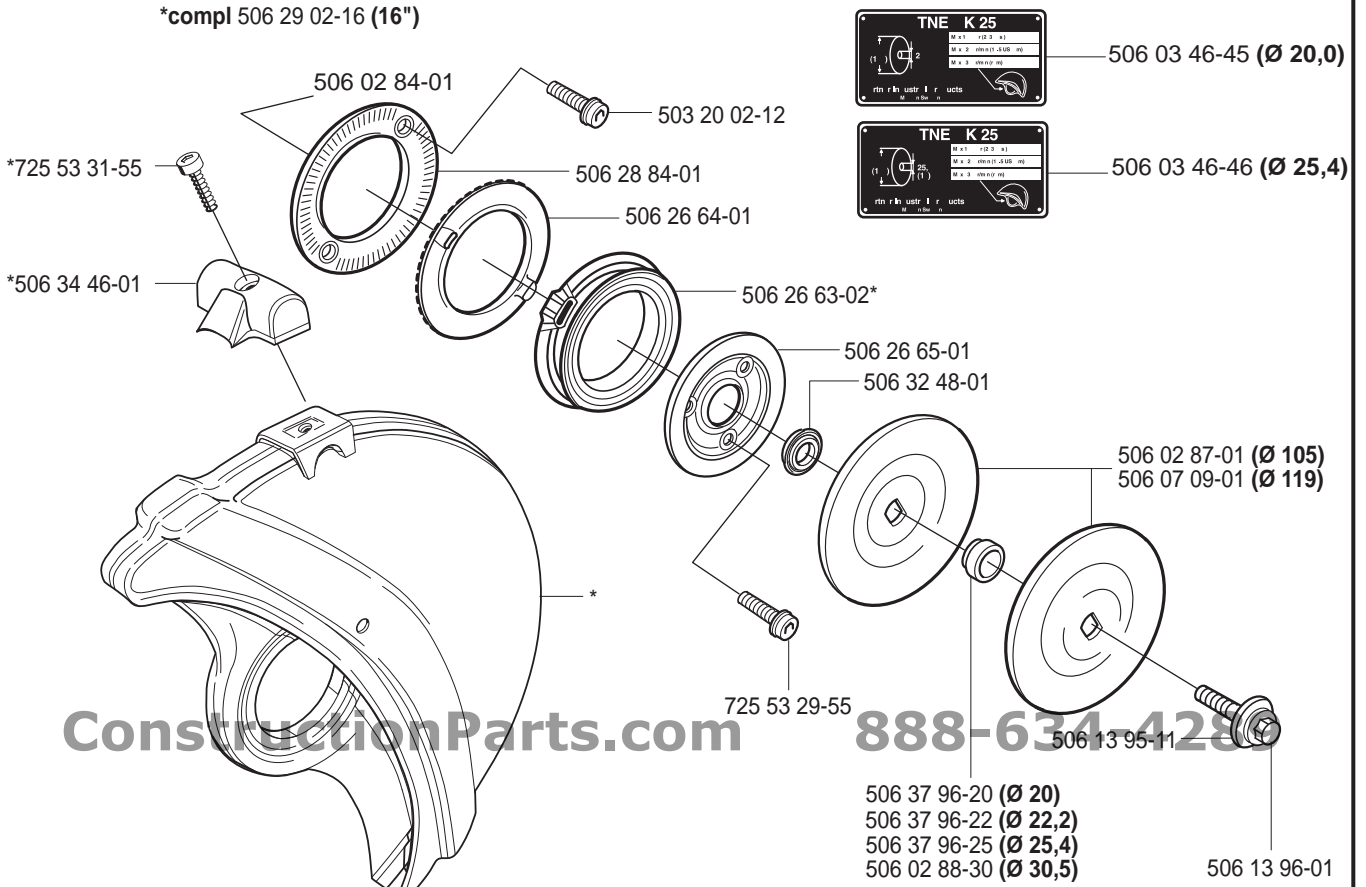
**A**

\*compl 506 03 06-02



ConstructionParts.com

\*compl 506 29 02-16 (16")



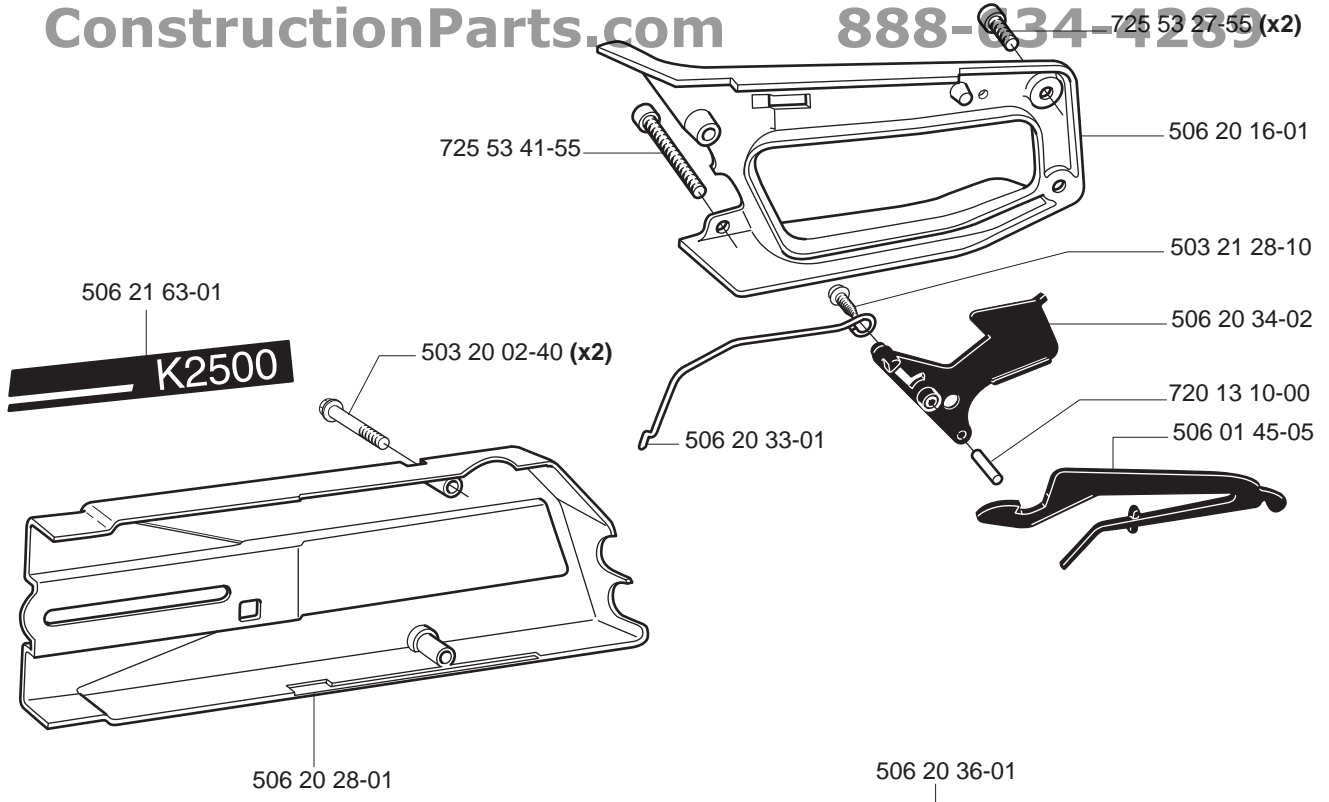
ConstructionParts.com

888-634-4288

**B**

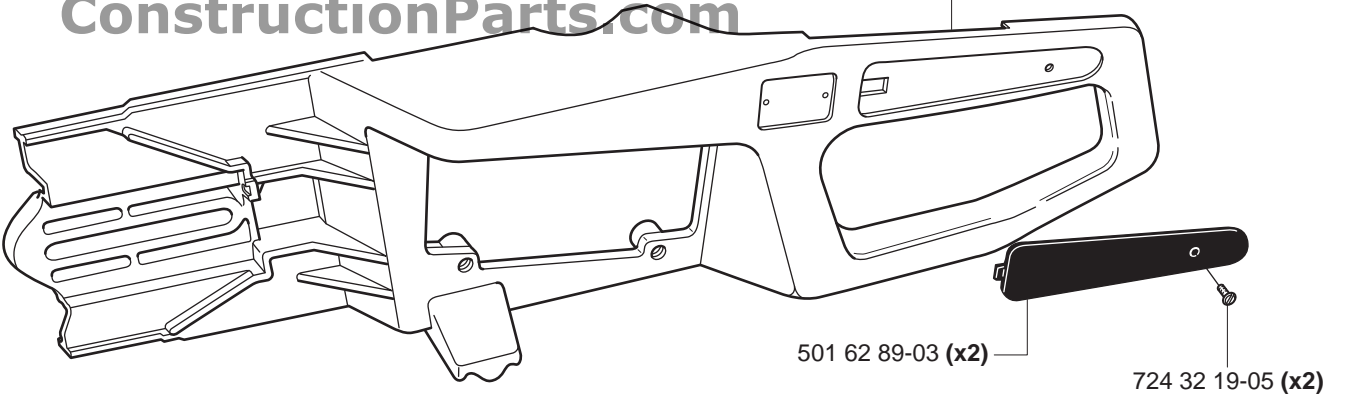
ConstructionParts.com

888-634-4289



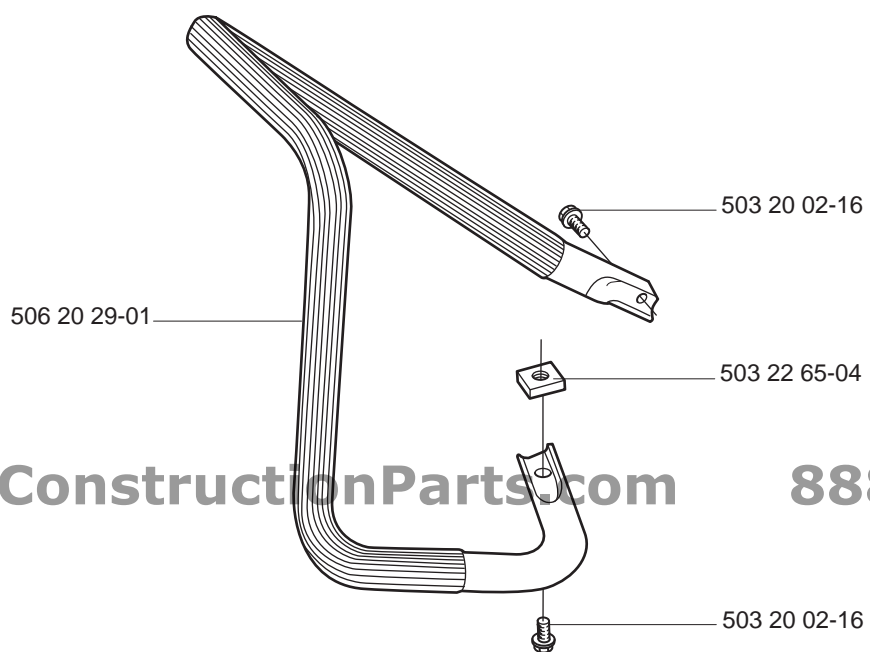
ConstructionParts.com

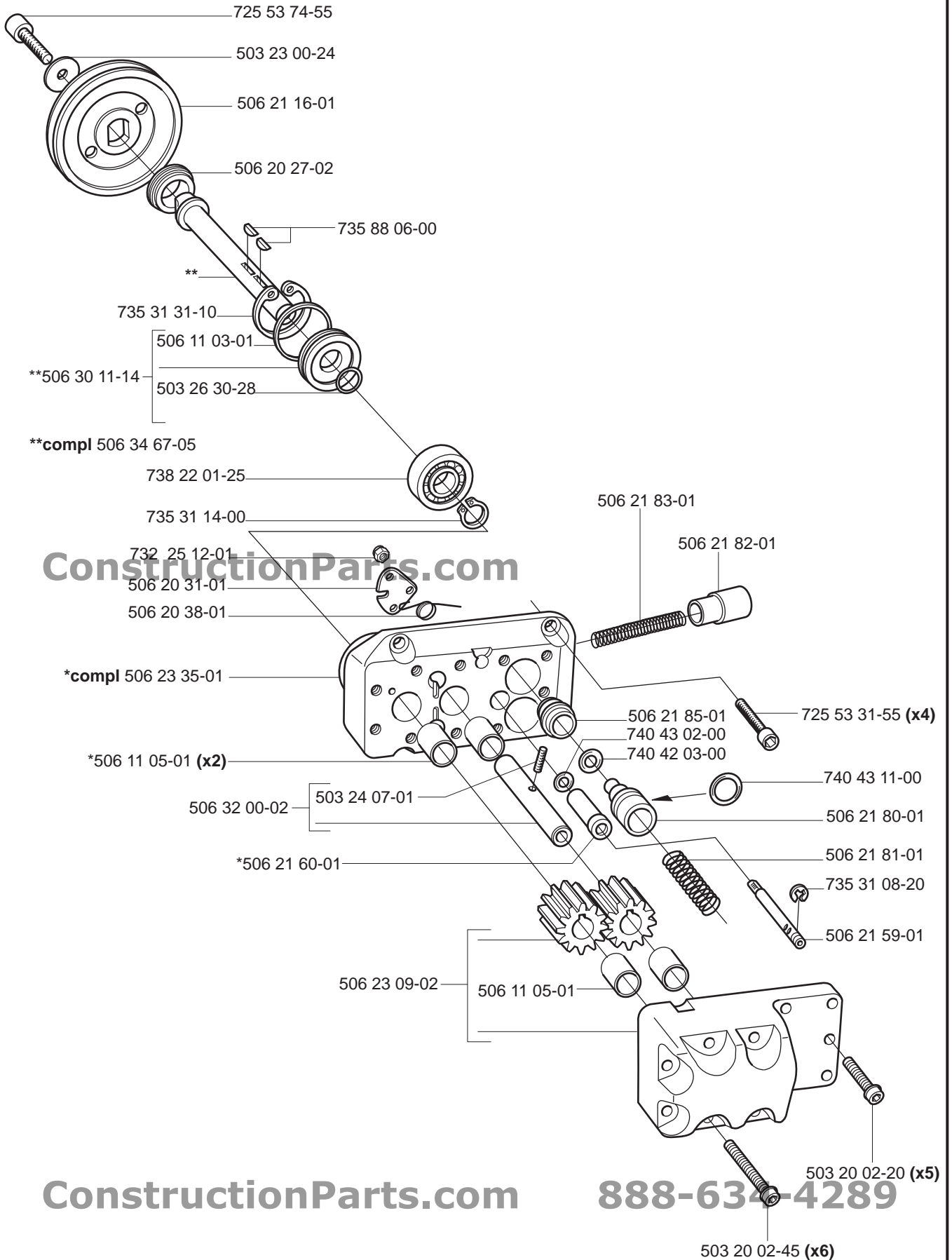
506 20 36-01



ConstructionParts.com

888-634-4289

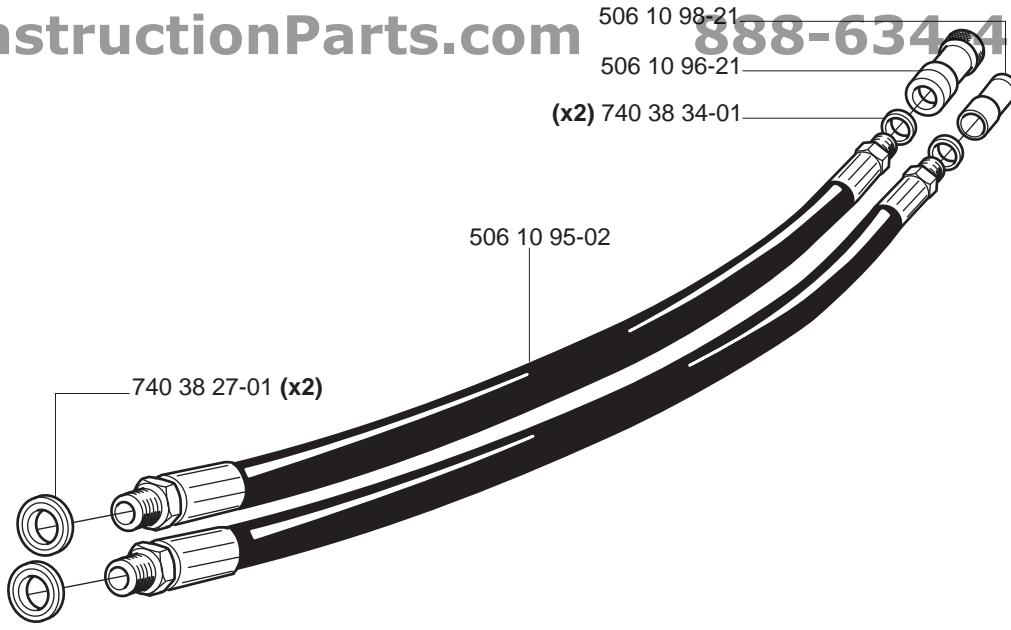




**D**

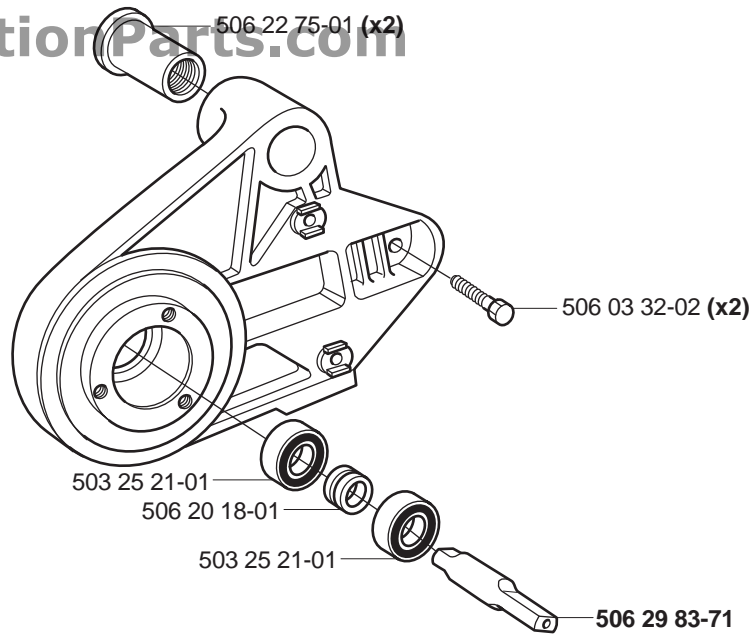
ConstructionParts.com

888-634-4289



**E** K2500 RAIL  
compl 506 23 08-01

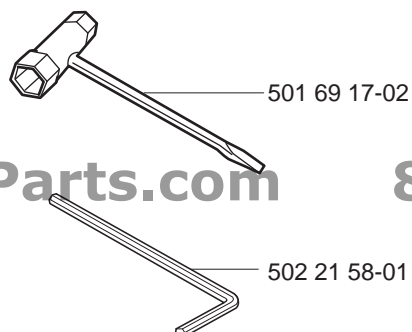
ConstructionParts.com



**F** Accessories  
Zubehöre  
Accessoires  
Acessorios  
Tillbehör

ConstructionParts.com

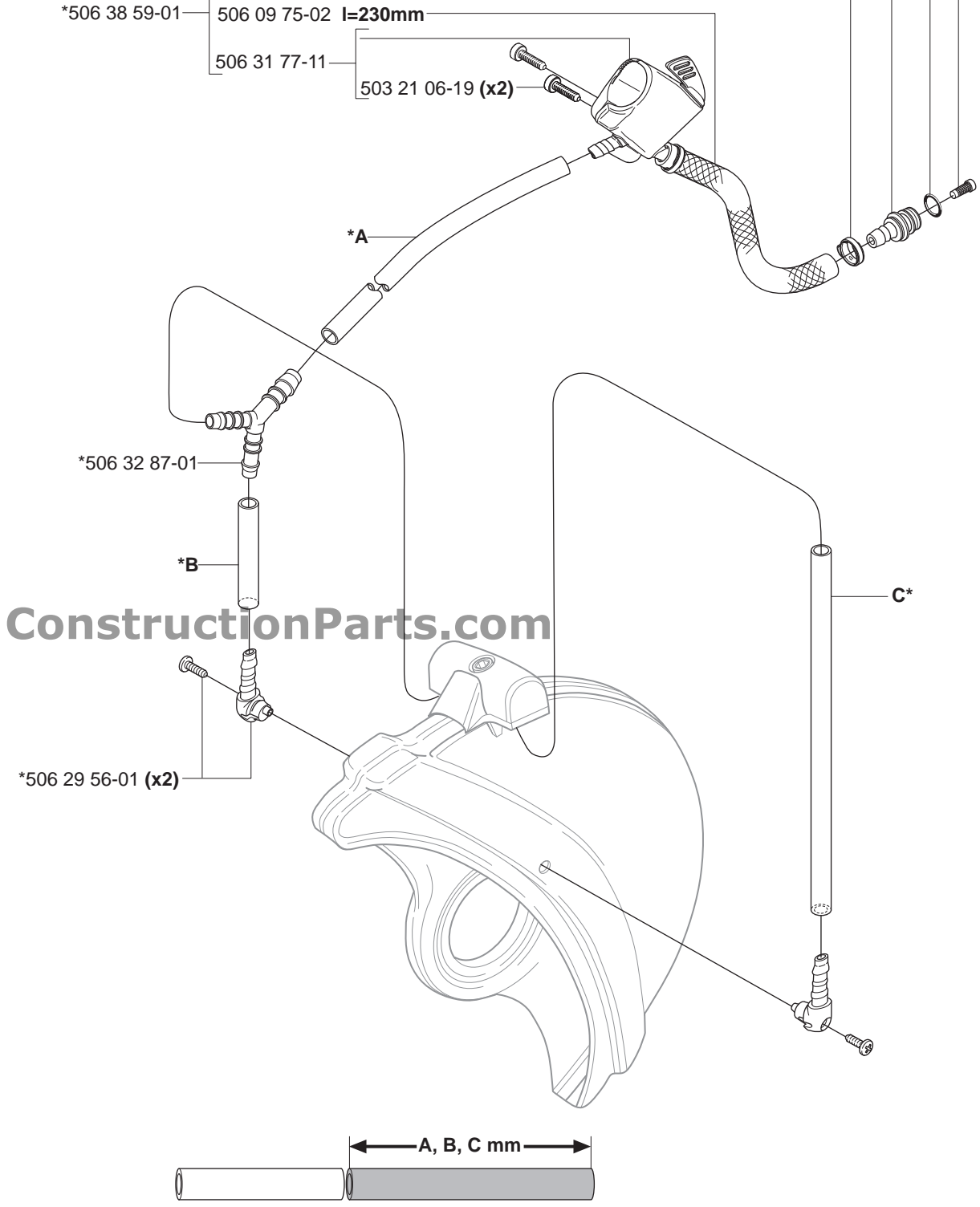
888-634-4289



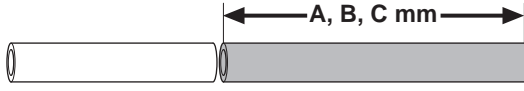
**G** Wet cutting kit  
 \*compl 506 32 89-03

ConstructionParts.com

888-634-4289



ConstructionParts.com



Product	A (mm)	B (mm)	C (mm)
K2500 16"	270	45	360

ConstructionParts.com

888-634-4289