



SPARE PARTS LIST
HTC 420 VS





Table of contents

HTC 420VS Chassis 2

HTC 420VS Handle 4

HTC 420VS Grinding head 6

HTC 420VS Grinding head inside 8

HTC 420VS Grinding holder cardan 10

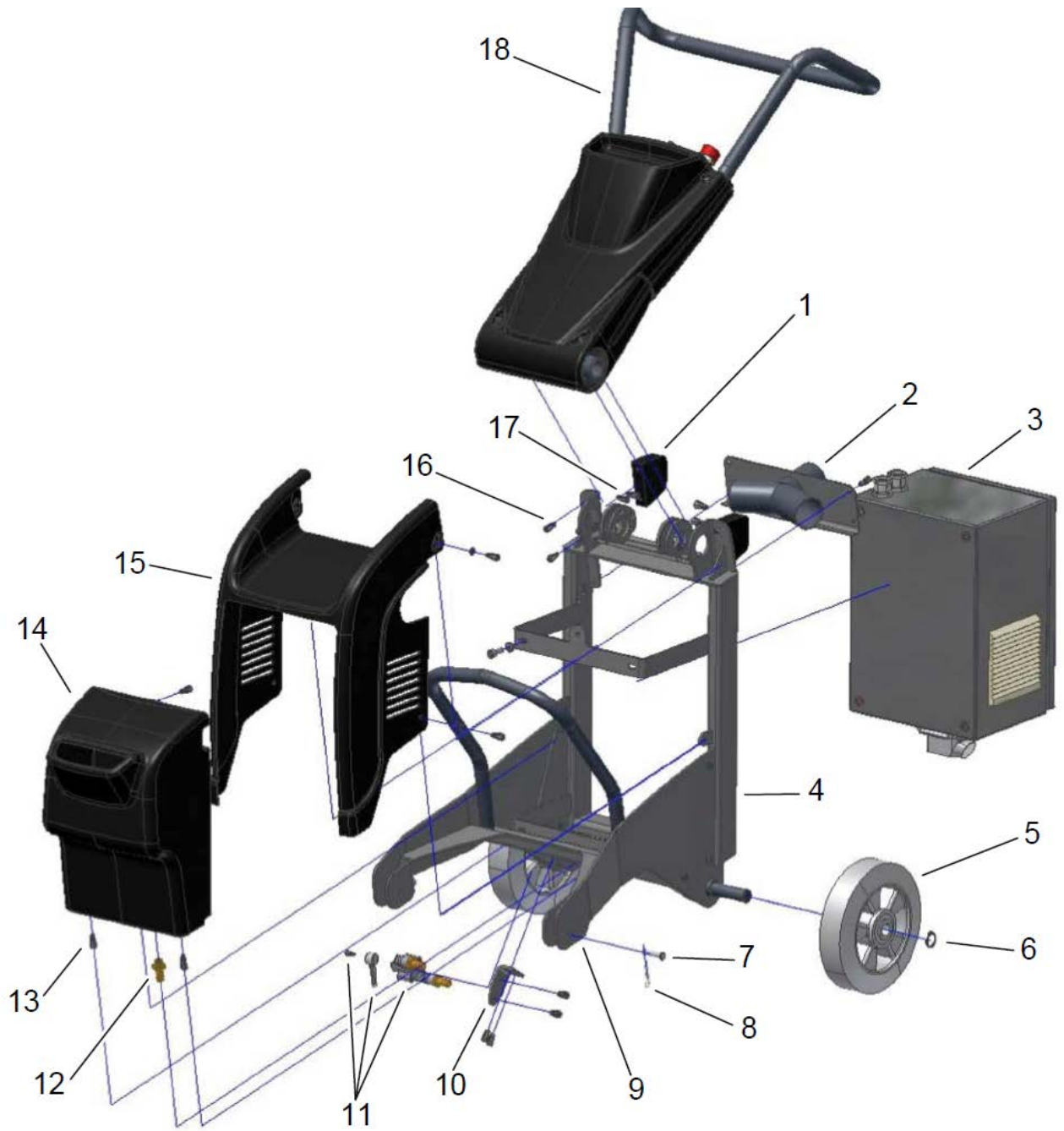
HTC 420VS Electrical 115V 60Hz (Coming soon) 12

HTC 420VS Electrical 230V 50Hz 14

HTC 420VS Electrical 230V 50Hz – EMC 16

HTC 420VS Electrical 3x400V (Coming soon) 18

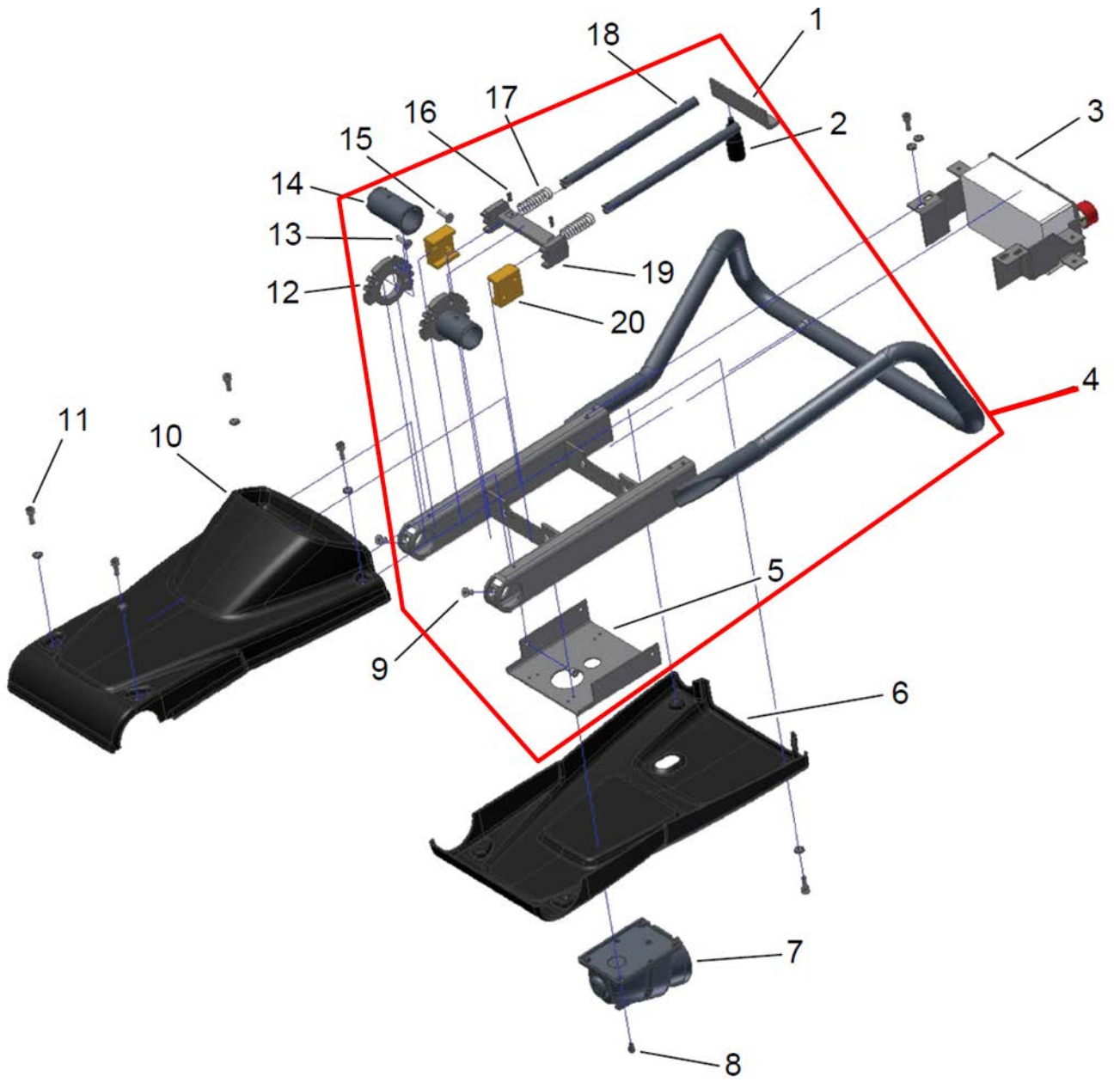
HTC 420VS Chassis



HTC 420VS Chassis

No.	Description	Part no	Qty
1	SUPPORT HEEL	593437101	2
2	ADAPTER TUBE	593458801	1
3	POWER UNIT 420 VS CE 3x400V	112345	1
3	POWER UNIT 420 VS US 1x115V	593439901	1
3	POWER UNIT 420 VS CE 1x230V	595724001	1
4	CHASSI CENTRAL MIDDLE	593436301	1
5	WHEEL	593408701	2
6	CIRCLIP SGA 20	593496301	2
7	CBH 8X35	593509801	2
8	LOCKING CLIP	593502501	2
9	CHASSI BOTTOM PART	112155	1
10	BRACKET WATER TAP	595603201	1
11	WATER TAP	593381001	1
12	TUBE CONNECT.2601-12-1/4	593391601	2
13	SCREW THERMOPL. PT WN 1452 TX	593502601	3
14	WATER TANK	593436001	1
15	COVER TOP	593435901	1
16	SCREW M6X10	593495401	20
17	SCREW M6X20	593496701	6
18	HANDLE SEE PAGE 5.		

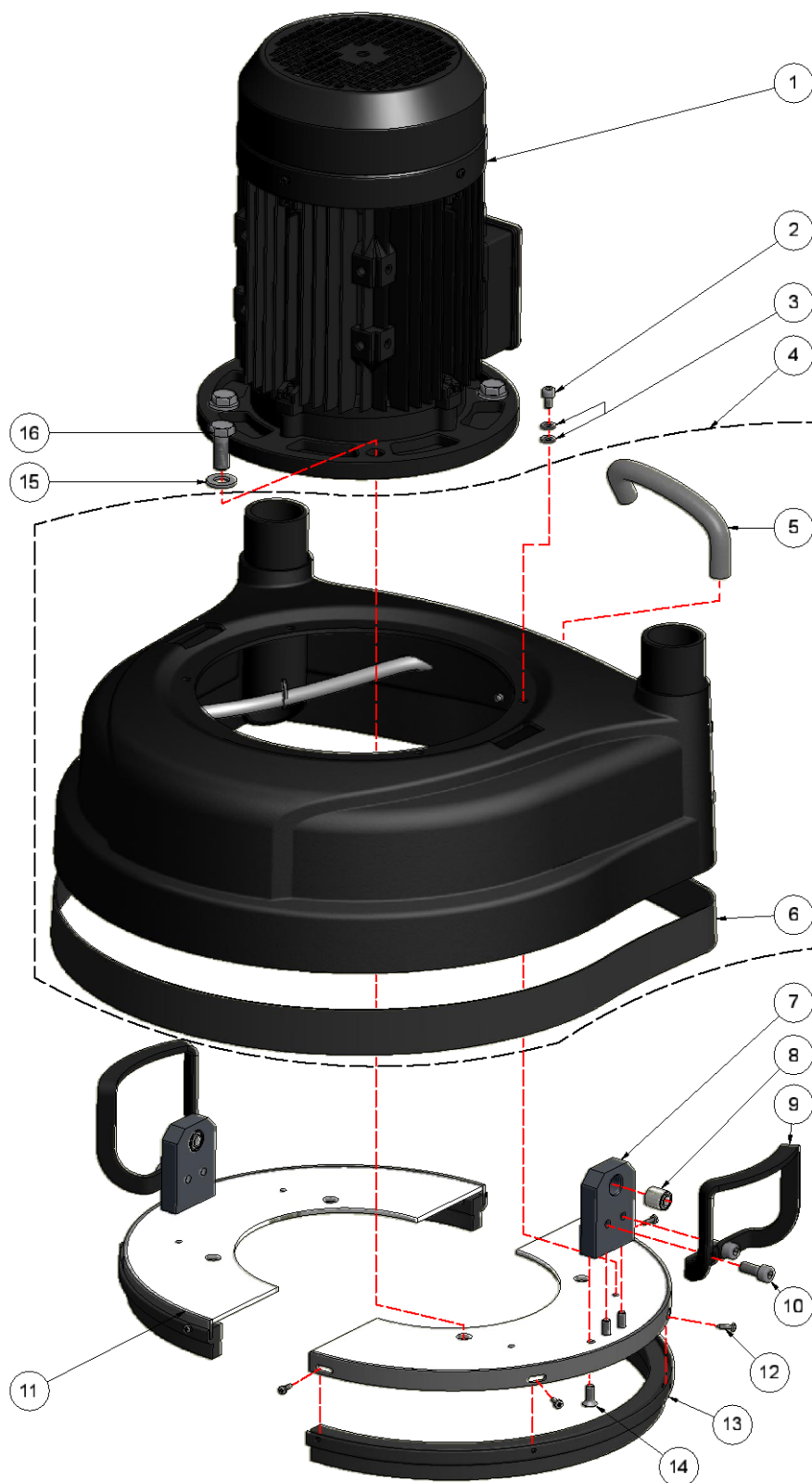
HTC 420VS Handle



HTC 420VS Handle

No.	Description	Part no	Qty
1	CONTROL PLATE	593436701	1
2	HANDLE KNOB	593436801	1
3	OPERATOR PANEL	595611301	1
4	HANDLE COMPLETE	593523301	1
5	CONNECTING PLATE	595603001	1
6	HANDLE COVER LOWER	593436101	1
7	POWER INLET, SURF16A 3P BLUE	593396601	1
8	SCREW M5X16	593505001	4
9	SCREW M6X9	593501201	4
10	HANDLE COVER UPPER	593436201	1
11	SCREW M6X16	593500701	4
12	GEAR LOWER	593436901	2
13	SCREW M6X25	593507301	6
14	HUB HANDLE	593437001	2
15	SCREW M6X9	593501201	4
16	SPRINGY PIPESTICK	593438001	2
17	PRESS SPRING	593437201	2
18	CONTROL AXLE	593436601	2
19	GEAR LOCKING	593436501	1
20	SUPPORT HANDLE MECHANISM	593436401	2

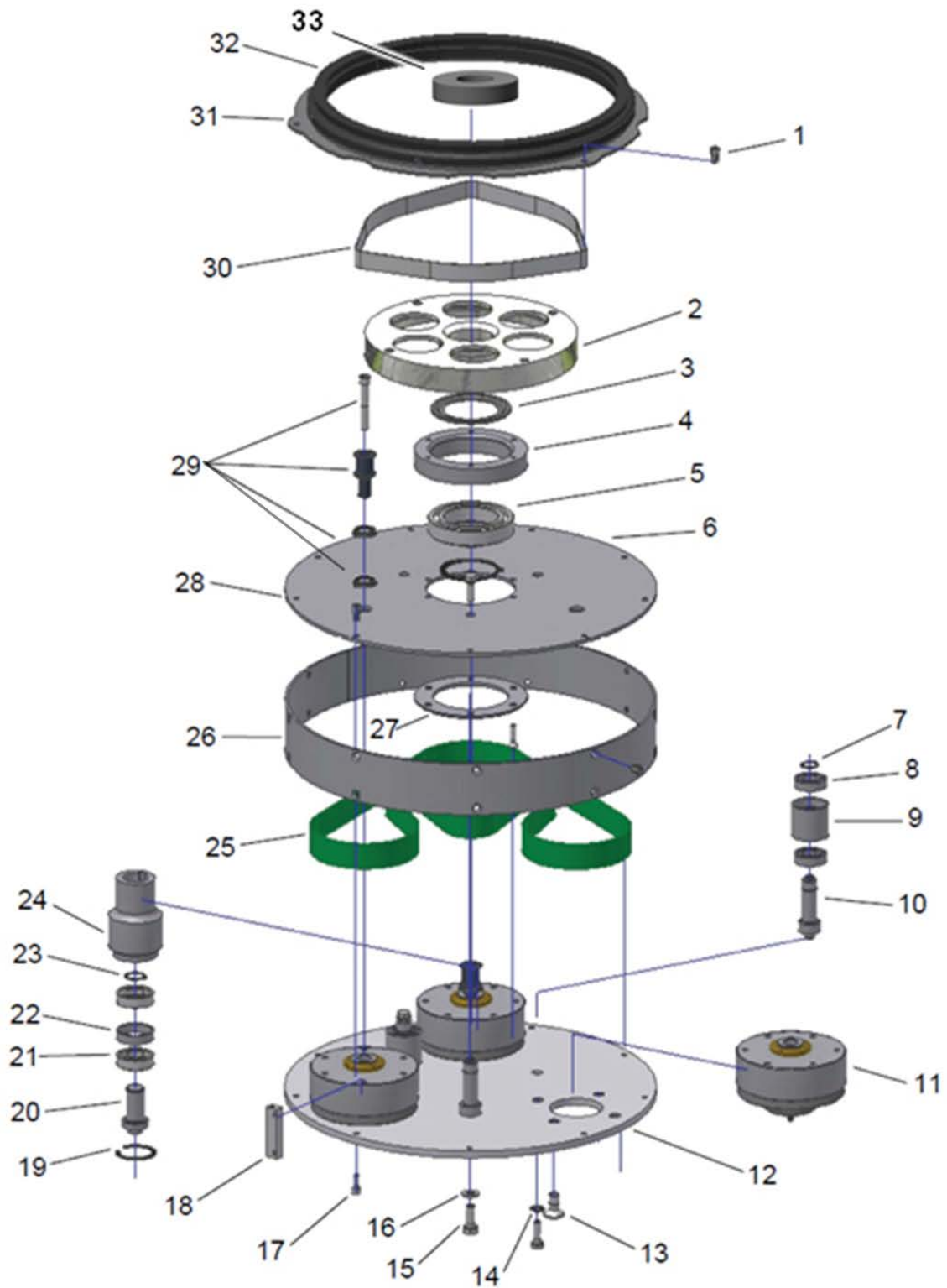
HTC 420VS Grinding head



HTC 420VS Grinding head

Item	Description	Part no	Qty
1	MOTOR 2.2KW	593405501	1
	WEDGE FOR ENGINE SHAFT	593424501	1
2	SCREW M6X10	593495401	4
3	WASHER M6	593496001	8
4	COVER COMPLETE	593449901	1
5	HOSE 15/10	593388601	0.3m
6	VELCRO CLOSING MALE	593615501	1.55m
	SPLASH GUARD	593405601	1
7	HINGE BRACKET	593402701	2
8	BUSHING	593377801	2
9	LIFTING HANDLE	593408601	2
10	SCREW M8X20	593502801	4
11	SAFETY COVER BELT V.2	593533101	2
12	SCREW 3.5X13	593508301	8
13	BRUSH STRIP	593443301	2X0.58
14	SCREW M6X16	593507801	6
15	WASHER M12	593499401	4
16	SCREW M12X35	593510901	4

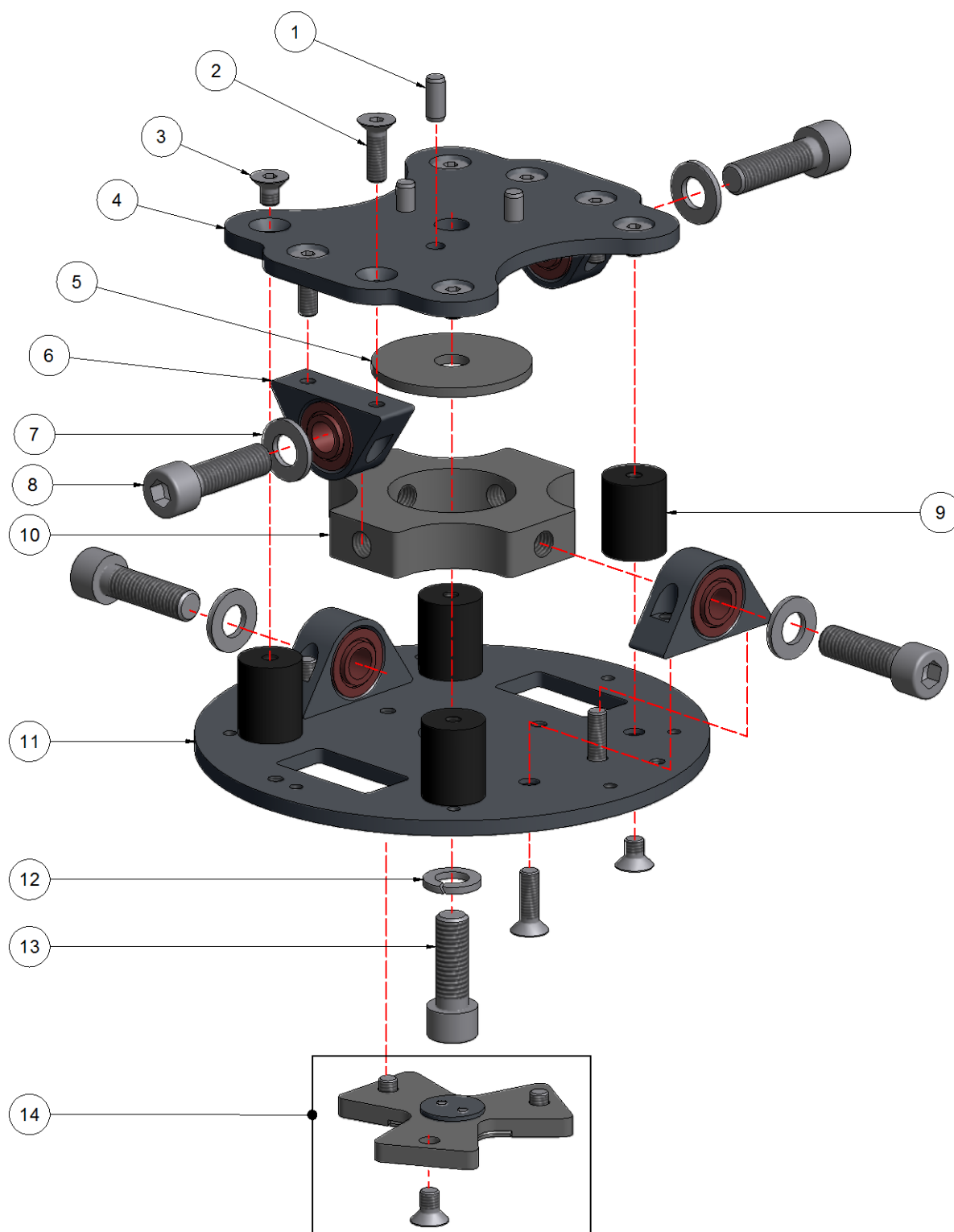
HTC 420VS Grinding head inside



HTC 420VS Grinding head inside

No.	Description	Part no	Qty
1	SCREW M6X20	593497101	3
2	MOTOR PLATE	593404101	1
3	NILOS RING 6012 JV	593377701	1
4	HOUSING CENTRE	593403401	1
5	BALL BEARING 6012	593382101	1
6	CIRCLIP SGA 60	593496501	1
7	CIRCLIP SGA 18	593501401	2
8	BALL BEARING 6003	593415101	4
9	PRESS WHEEL	593403901	2
10	SHAFT PRESSWHEEL	593403801	3
11	BELT WHEEL	593404501	3
12	LOWER LID	593401801	1
13	SCREW M12X20	593501801	12
14	WASHER M8	593496201	6
15	SCREW M10X25	593501101	1
16	WASHER M10	593498501	1
17	SCREW M6X16	593500701	12
18	FIXING BOSS	593402401	9
19	CIRCLIP SGH 42	593507401	1
20	SHAFT CENTERPULLEY	593403201	1
21	BALL BEARING 6004	593415201	2
22	SPACER CENTRE HUB	593403501	1
23	CIRCLIP SGA 20	593496301	1
24	CENTER PULLEY	593403301	1
25	BELT INNER	593377901	1
26	BORDER	593402201	1
27	COVER CENTER	593401901	1
28	UPPER LID	593402501	1
29	SCREW M8X55	593506001	3
	SHAFT UPPER BELT	593404001	3
	SEALING V-RING 18MM	593405001	3
	RADIAL SEAL	593464201	3
30	BELT UPPER	593378001	1
	SAFETY COVER COMPLETE	DISCONTINUED	1
31	SAFETY COV. WITHOUT BRUSHSTRIP	DISCONTINUED	1
32	BRUSH STRIP. SAFETY COVER	DISCONTINUED	1
33	FOAM RING	593408401	1

HTC 420VS Grinding holder cardan



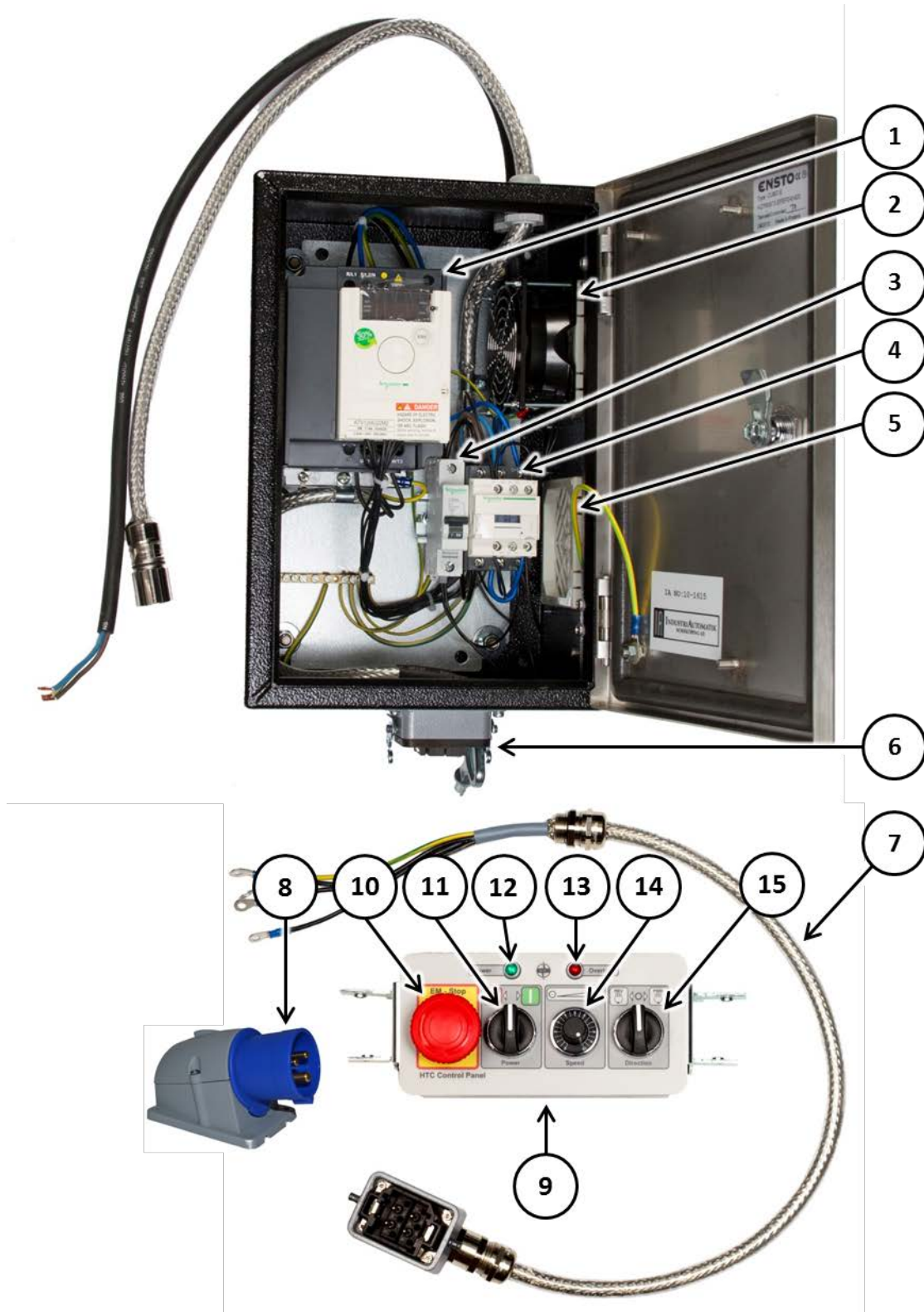
HTC 420VS Grinding holder cardan
GRINDHOLDER COMPLETE – 112355

Item	Description	Part no	Qty
1	CYLINDER PIN CP 6X14	593508401	3
2	SCREW M6X20	593505101	8
3	SCREW M6X9	593501201	8
4	UPPER GRIND HOLDER PLATE	593440101	1
5	WASHER	593440001	1
6	EAR BUSHING CMPL.	593616401	4
7	WASHER M10	593499101	4
8	SCREW M10X35	593508101	4
9	SHOCK ABSORBER 20x25 M6	593438801	4
10	CARDAN CONNECTION	593440301	1
11	LOWER GRIND HOLDER PLATE	593440201	1
12	WASHER M10	593509901	1
13	SCREW M10X30	593504101	1
14	CROSS COMPLETE	593616301	1

HTC 420VS Electrical 115V 60Hz (Coming soon)

HTC 420VS Electrical 115V 60Hz (Coming soon)

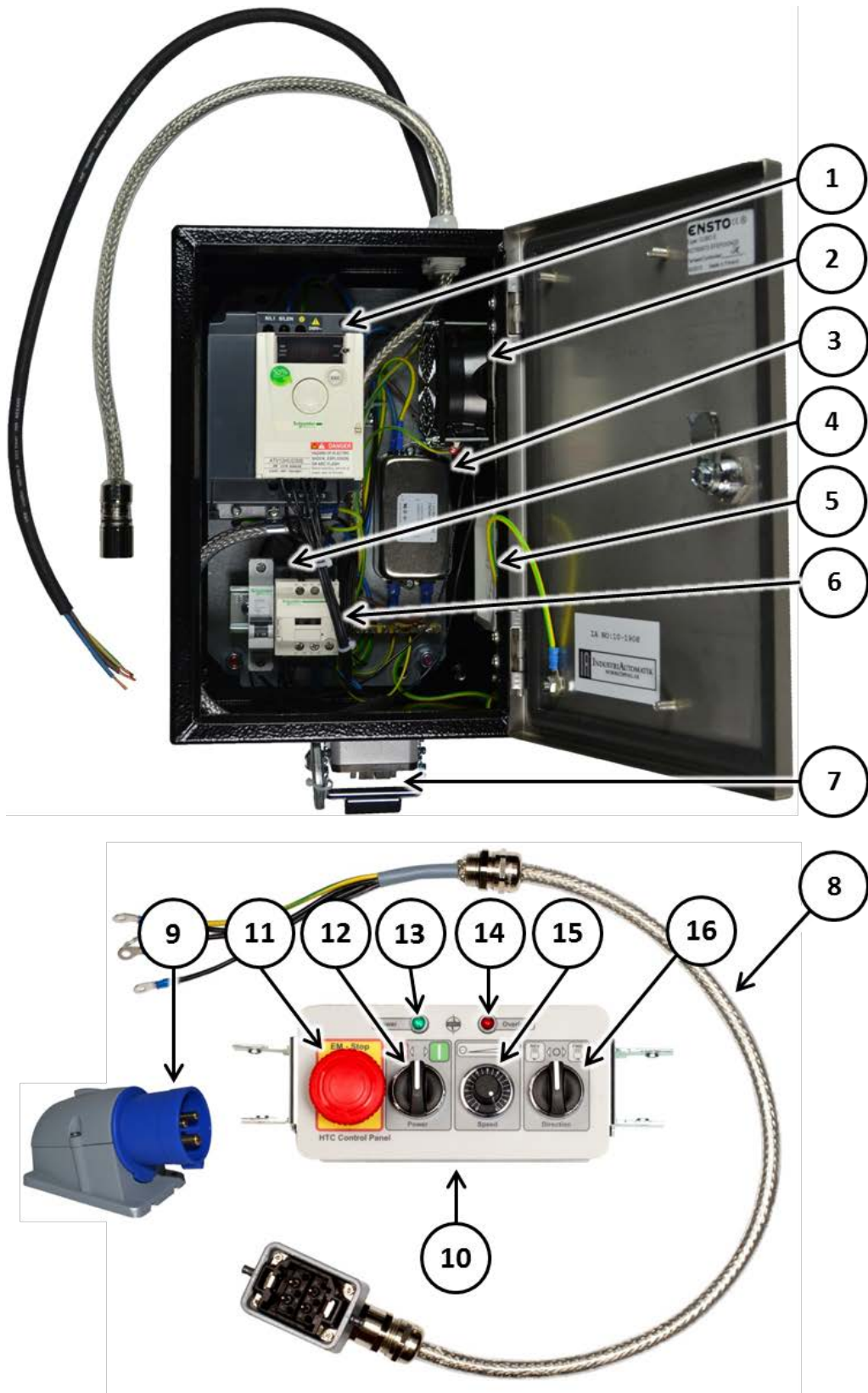
HTC 420VS Electrical 230V 50Hz



HTC 420VS Electrical 230V 50Hz

Item	Description	Part no	Qty
1	INVERTER	593460301	1
2	FILTER FAN	593466901	1
	FILTER HOLDER	593553001	1
3	FUSE 1POL 1A	595733001	1
4	CONTACTOR	593552401	1
5	FILTER HOLDER	593553001	1
6	MOTOR CABLE INLET	593552901	1
7	MOTOR CABLE	595324601	1
8	POWER INLET BLUE	593396601	1
9	OPERATOR PANEL	595724901	1
10	EMERGENCY STOP PRESS BUTTON	593406701	1
	MOUNTING BASE	593614901	1
	CONTACT BLOCK RED (NC)	593399701	1
11	ON/OFF KNOB 3-POS	593398201	1
	MOUNTING BASE	593614901	1
	CONTACT BLOCK RED (NC)	593399701	1
	CONTACT BLOCK GREEN (NO)	593399601	1
12	GREEN LED	593472301	1
13	RED LED	595642401	1
14	POTENTIOMETER KNOB	593420701	1
	POTENTIOMETER	593434101	1
15	RESET/FWD KNOB 3-POS	593472401	1
	MOUNTING BASE	593614901	1
	CONTACT BLOCK GREEN (NO)	593399601	2

HTC 420VS Electrical 230V 50Hz – EMC



HTC 420VS Electrical 230V 50Hz – EMC

Item	Description	Part no	Qty
1	INVERTER	593460301	1
2	FILTER FAN	593466901	1
	FILTER HOLDER	593553001	1
3	EMC-FILTER	593554301	1
4	FUSE 1POL 1A	595733001	1
5	FILTER HOLDER	593553001	1
6	CONTACTOR	593552401	1
7	MOTOR CABLE INLET	593552901	1
8	MOTOR CABLE	595324601	1
9	POWER INLET BLUE	593396601	1
10	OPERATOR PANEL	595724901	1
11	EMERGENCY STOP PRESS BUTTON	593406701	1
	MOUNTING BASE	593614901	1
	CONTACT BLOCK RED (NC)	593399701	1
12	ON/OFF KNOB 3-POS	593398201	1
	MOUNTING BASE	593614901	1
	CONTACT BLOCK RED (NC)	593399701	1
	CONTACT BLOCK GREEN (NO)	593399601	1
13	GREEN LED	593472301	1
14	RED LED	595642401	1
15	POTENTIOMETER KNOB	593420701	1
	POTENTIOMETER	593434101	1
16	RESET/FWD KNOB 3-POS	593472401	1
	MOUNTING BASE	593614901	1
	CONTACT BLOCK GREEN (NO)	593399601	2

HTC 420VS Electrical 3x400V (Coming soon)

HTC 420VS Electrical 3x400V (Coming soon)